



MANUFACTURING SOLUTIONS

Since 1999, Vacuworx has set the standard in vacuum lifting for field applications. We pioneered self-contained vacuum lifting technology for heavy-duty material handling for the oil and gas industry. Now we are applying our commitment to safety and innovation to in-plant manufacturing solutions.

Our modular battery and electric vacuum lifting systems can be configured to fit a wide variety of applications and are customizable based on specific needs. All Vacuworx lifting systems are engineered and tested to the highest safety standards for below-the-hook lifting devices, and are backed by unmatched service and technical support.

- Position of vacuum cups/pads can be easily adjusted without tools to fit multiple sizes and configurations
- Vacuum pump keeps constant vacuum in the pressure reservoir to reduce cycle times
- Vacuum reservoir and valve maintain vacuum even in the event of a power failure
- Interchangeable pads allow systems to be customized to lift a variety of material weights and sizes
- Visible and audible vacuum alarms
- Vacuum gauges clearly indicate whether vacuum levels are sufficient for lifting
- Minimal maintenance required
- Vacuworx Tough Seal™ pad seal eliminates damage to material being lifted
- Meets or exceeds ANSI/ASME standards section B30.20, ASME BTH-1 and AS 4991



PHD PORTABLE VACUUM LIFTING SYSTEM

- 12V 30 Ah rechargeable LFP battery
- Remote control

	CAPACITY	WEIGHT	DIMENSIONS
PHD	2,500 lb (1.13 tonne)	25 lb (11 kg)	L 19" (483 mm) x H 7.5" (191 mm) x W 14.5" (368 mm)

Units include 10' vacuum hose, battery and battery charger

STANDARD PAD OPTIONS

PS1-0812F	632 lb (287 kg)	25 lb (11 kg)	8" x 12" (203x305 mm) inner/12" x 16" (305x406 mm) outer
PS1-1216F	1,195 lb (542 kg)	36 lb (16 kg)	12" x 16" (305x406 mm) inner/16" x 20" (406x508 mm) outer

MOUNTING OPTIONS

PT8712-086F PHD Forklift Assembly (includes 2 pad connectors & pins, 10 ft. vacuum hose and gauge with dual hose connection)



VT/VRT VACUUM LIFTING SYSTEMS

- 110V or 220V AC operation
- 7.75" (197 mm) vacuum cups standard
- Models can tilt up to 90° (VT/VRT) and rotate 360° (VRT only) with pin stops every 45°

	CAPACITY	WEIGHT	FRAME DIMENSIONS
VT-4	640 lb (290 kg) horiz / 320 lb (145 kg) vert	85 lb (39 kg)	L 20.5" (521 mm) x H 35" (889 mm) x W 18" (457 mm)
VRT-4	640 lb (290 kg) horiz / 320 lb (145 kg) vert	98 lb (44 kg)	L 20.5" (521 mm) x H 35" (889 mm) x W 18" (457 mm)
VT-8	1,280 lb (580 kg) horiz / 640 lb (290 kg) vert	124 lb (56 kg)	L 72.5" (1842 mm) x H 35" (889 mm) x W 18" (457 mm)



VPL VACUUM LIFTING SYSTEMS

- 110V or 220V AC operation
- Remote control
- 8" x 12" (203x305 mm) PS1-0812F vacuum pads standard

	CAPACITY	WEIGHT	MAX DIMENSIONS
VPL2-6	1,264 lb (573 kg)	355 lb (161 kg)	L 76" (1930 mm) x H 41.5" (1054 mm) x W 16" (406 mm)
VPL4-6	2,528 lb (1,147 kg)	450 lb (204 kg)	L 100" (2540 mm) x H 41.5" (1054 mm) x W 46" (1168 mm)
VPL6-8	3,792 lb (1,720 kg)	610 lb (277 kg)	L 132" (3353 mm) x H 41.5" (1054 mm) x W 46" (1168 mm)
VPL8-10	5,056 lb (2,293 kg)	725 lb (329 kg)	L 156" (3962 mm) x H 41.5" (1054 mm) x W 46" (1168 mm)



CM MODULAR VACUUM LIFTING SYSTEM

- Single phase (110/220V) or 3 phase (220V or 460V) operation standard (other voltages available upon request)
- Remote control

	CAPACITY	WEIGHT	DIMENSIONS
CM3E	6,600 lb (3 tonne)	304 lb (138 kg)	L 23" (584 mm) x H 25" (635 mm) x W 28" (711 mm)

Base unit includes picking eye and removable storage legs (frame assembly and pads sold separately)

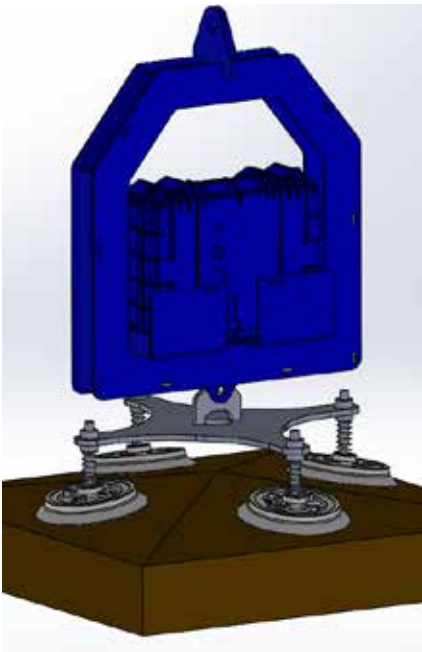
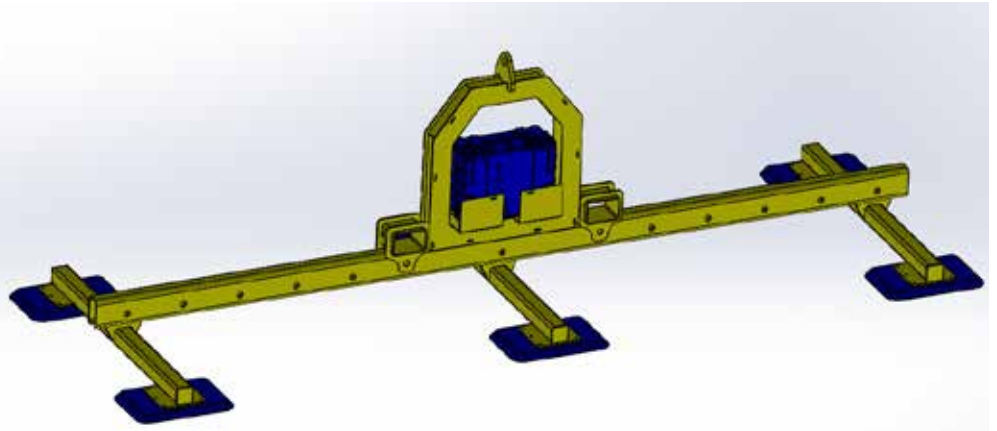
STANDARD PAD OPTIONS

PS1-0812F	632 lb (287 kg)	25 lb (11 kg)	8" x 12" (203x305 mm) inner/12" x 16" (305x406 mm) outer
PS1-1216F	1,195 lb (542 kg)	36 lb (16 kg)	12" x 16" (305x406 mm) inner/16" x 20" (406x508 mm) outer
PS1-1616F	1,562 lb (709 kg)	45 lb (20 kg)	16" x 16" (406x406 mm) inner/20" x 20" (508x508 mm) outer
PS1-1919.25F	2,500 lb (1,134 kg)	64 lb (29 kg)	19" x 19.25" (483x489 mm) inner/23" x 23.25" (584x591 mm) outer

STANDARD FRAME ASSEMBLIES

PT8712-740	6' (1.8 m) Spreader Bar	PT8712-752	15' (4.6 m) Spreader Bar
PT8712-741	8' (2.4 m) Spreader Bar	PT8712-063	Static Cross Beam Assembly
PT8712-718	10' (3 m) Spreader Bar	PT8712-066	PS to CM Pad Adapter

CUSTOM MANUFACTURING SOLUTIONS



+1-918-259-3050 | REQUESTS@VACUWORX.COM | 10105 EAST 55TH PLACE, TULSA, OKLAHOMA 74146 USA | VACUWORX.COM